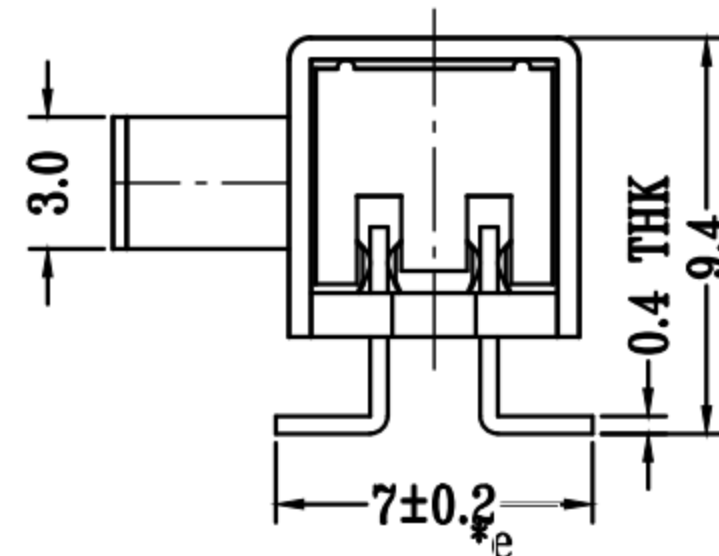
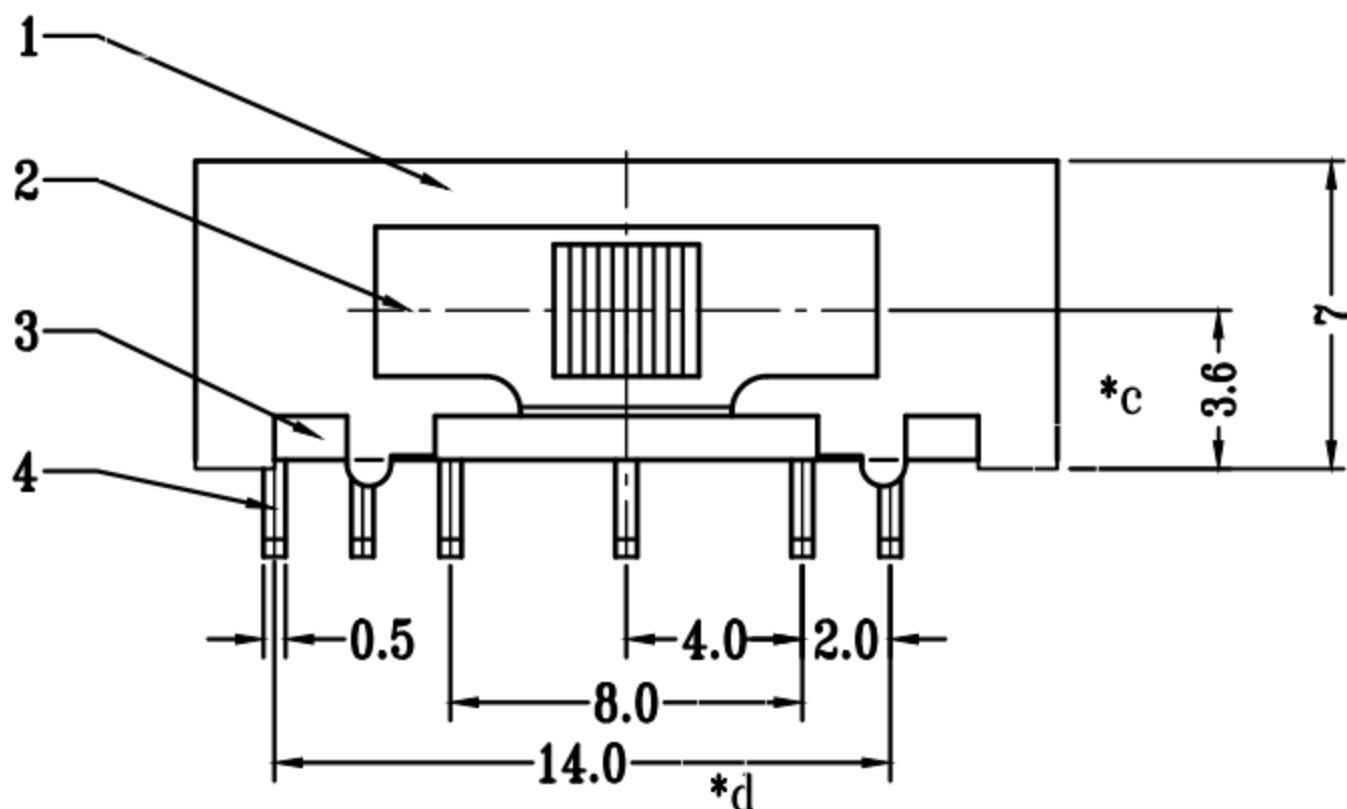
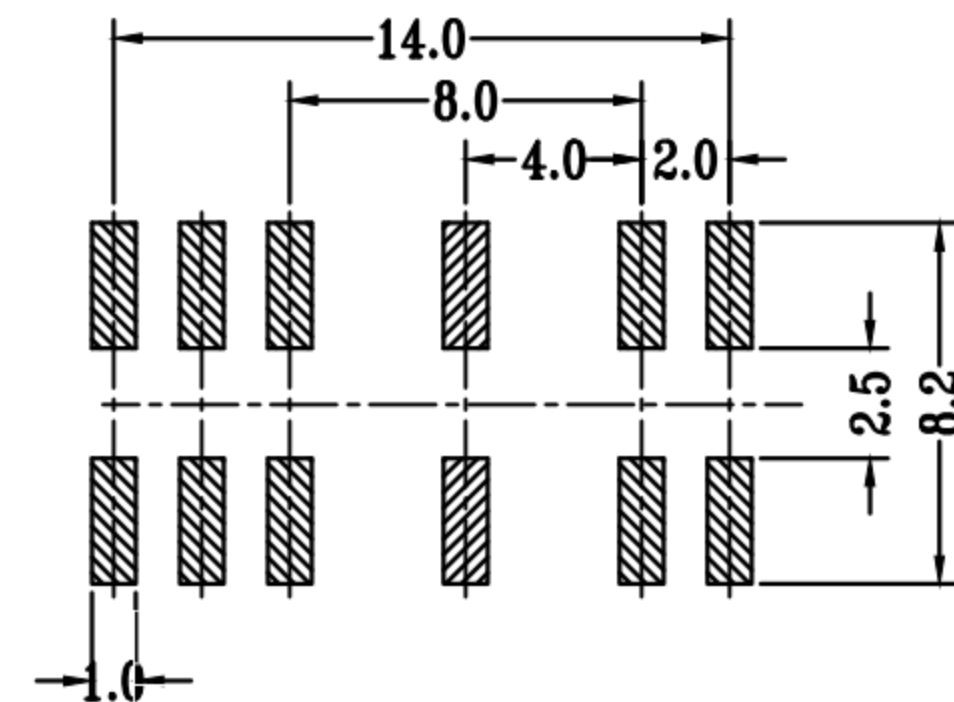


SCHEMATIC (SHORTING)



H=XXmm



P.C.B LAYOUT
TOP VIEW

NO.	PART NAME	MATERIAL	QTY	FINISHING	TOLERANCE UNLESS SPECIFIED		REVISIONS		BY	APPD	
7	STEEL BALL	STEEL	1	NATURAL	UP TO 5mm:±0.1 ABOVE 5mm:±0.2	ANGULAR ±1°	1				
6	SPRING	STEEL WIRE	1	NATURAL			NO	DATE			
5	CONTACT CLIP	PBS	2	Ag PLATED	TITLE: SLIDE SWITCH		UNIT : MM	ROHS	DWN		
4	TERMINAL	BRASS STRIP	12	Ag PLATED	MODEL:		SCALE: 1:1	COMPLIANT	CHK'D		
3	BASE	PHENOLIC RESIN	1	NATURAL	东莞市高迪电子有限公司					APPD	
2	KNOB	PA9T	1	BLACK						PRO.AGL:	REV :A0
1	FRAME	STEEL STRIP	1	Ni PLATED							